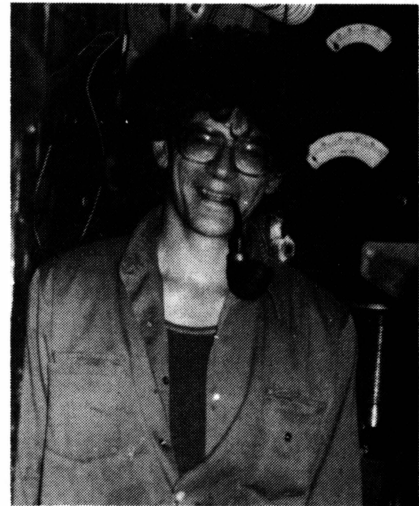


The Hutchison Effect Apparatus

By John Hutchison

There have been some serious investigations into the Hutchison Effect in Canada, the United States, and Germany. (See articles in ESJ #4.) The reality of objects being moved, levitated, or restructured by magnetic and electric field effects does not seem to be in question. Just how or why the events happen is the questionable part. John Hutchison has been providing ESJ with details on his work, as have a few others who have worked with him over the years. The picture consistently described is that of numerous experimental apparatus being operated simultaneously and interactively. "Events" occur, somewhat unpredictably. This is a format of accidental discovery through undefined mixture. It is exciting to the experimenter, yet frustrating to the scientist trying to sort out the interaction of the variables. Although recollection and details are difficult, Mr. Hutchison describes some of his apparatus in this attempt to share with other experimenters.



John Hutchison—1985

I will attempt to explain details of the apparatus used in my experiments and will start with the input power used to trigger the host of Tesla coils, static generators, transformers, interferometers, magnetics, metal masses, and nuclear sources, etc. The source power was 110 volts AC operated at 400 watts to 4000 watts. One side of the AC line had a power factor capacitor (60 cycles, 250 volt), and a 100-amp current limiter. The magnetics of the current limiter were also used in the experiment interactions.

This power source was divided up in a function box and, through switching, went to variacs. The variac outputs were monitored by wattmeters, ammeters, and voltmeters, and supplied up to fourteen transformers. These included

twelve-volt transformers for vacuum tubes, 400,000-volt AC transformers, a Siemens 250,000-volt DC X-ray transformer, and other items. Regeneration equipment of 450 kHz up to 2500 MHz was also operated.

The general power circuit is shown in *Figure 1*. A and B are current limiters which ranged from two to seven amps. By this means some transformers were limited to this amperage instead of the fifty amps that might otherwise be drawn. The current limiters were adjustable and the magnetics from them were used in close proximity to the spark gaps and an alpha-beta emission unit. I had bypass switches on each current limiter which I used often. Unfortunately there was an incident one time in which

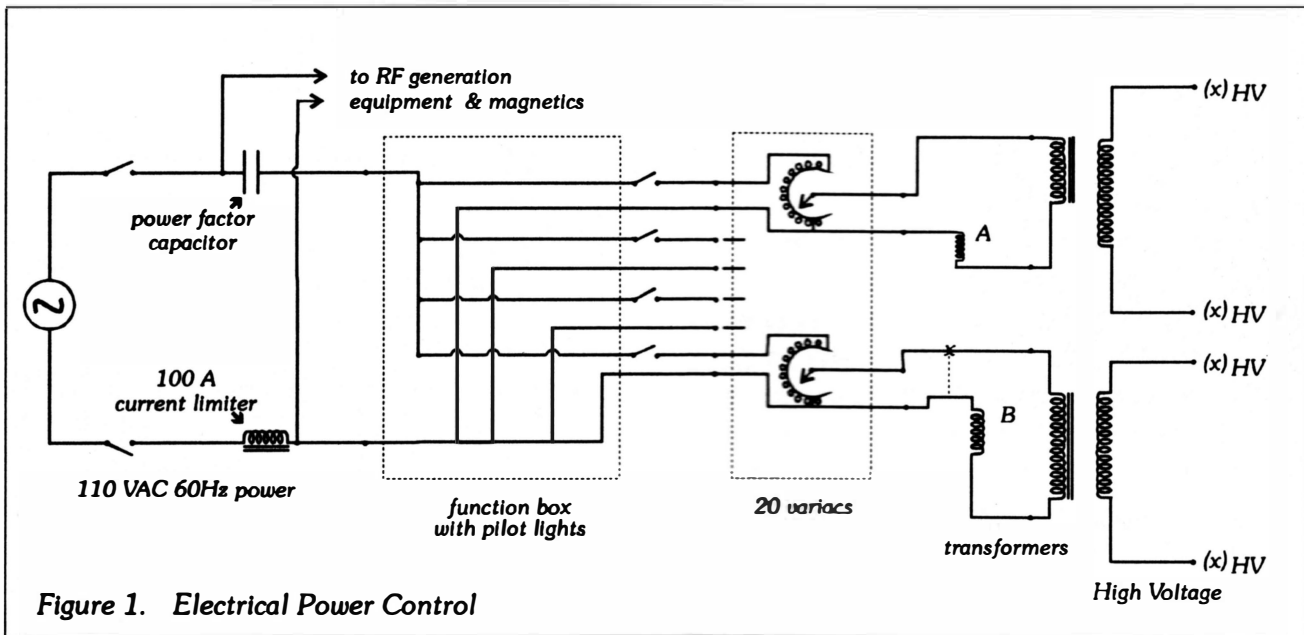
Warning: The re-creation of certain aspects of these experiments is extremely dangerous and should not be attempted without proper training or guidance.

conspira.org

escape Their matrix

For any given topic its single
correct theory cohesively
explains all facts and
evidence, both present and
as yet unknown.

“alt things considered”

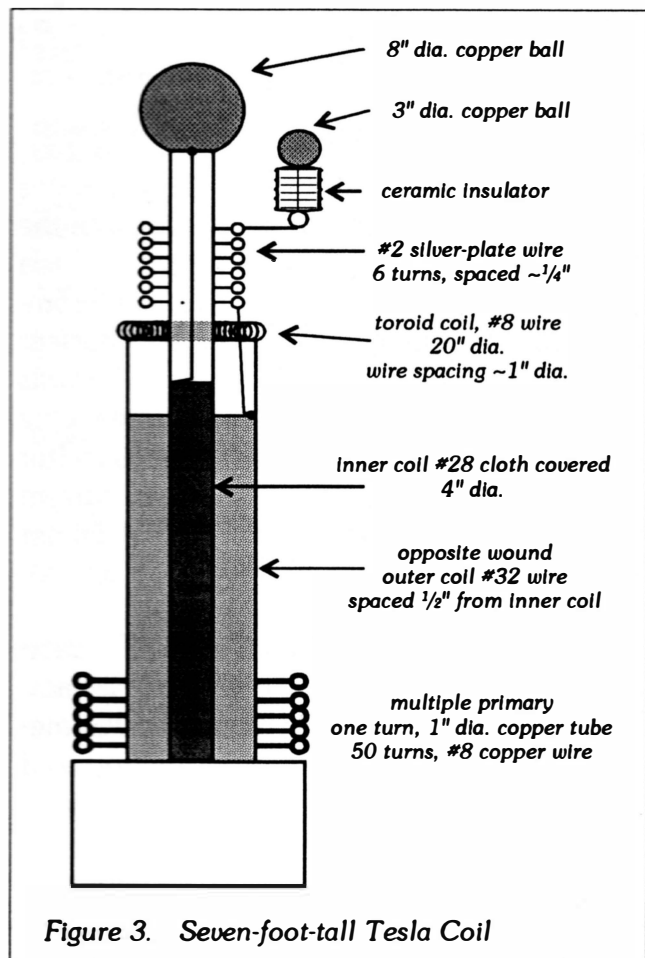
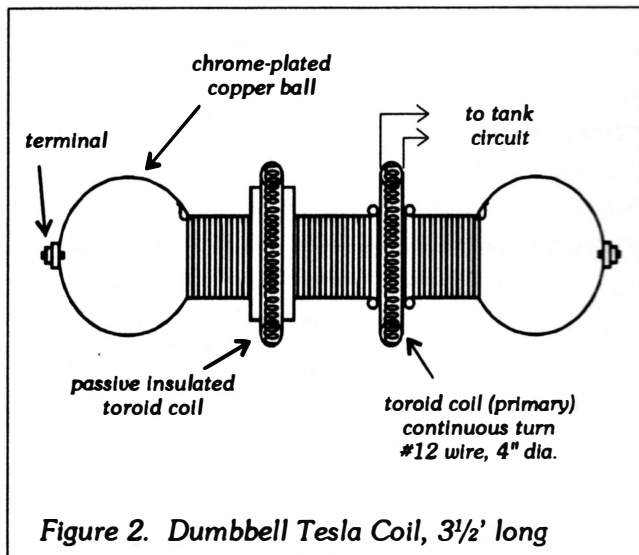


the outside pole transformer blew up when using the bypass switch.

The symbol (x) is used to represent the high potential leads in Figures 1, 5~7, 10, 12 and 17. These figures are rough schematics of some circuits.

My favorite Tesla coils are shown in Figures 2 and 3. Other Tesla coils I had were of the flat pancake-type with 1-inch copper tube in the primary and 10,000 turns of number 32 wire on an 8-inch diameter secondary tube. Another

coil used twelve-gauge wire on a 24-inch diameter tube, mounted horizontally. These are not shown.



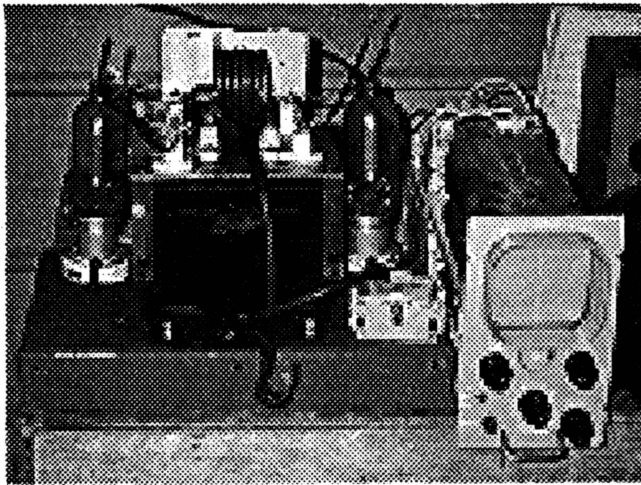


Figure 4. Vacuum Tube Tesla Coil Drive

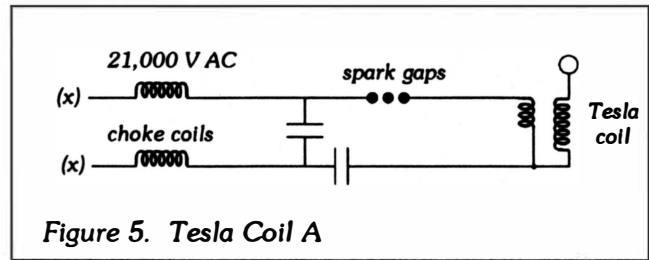


Figure 5. Tesla Coil A

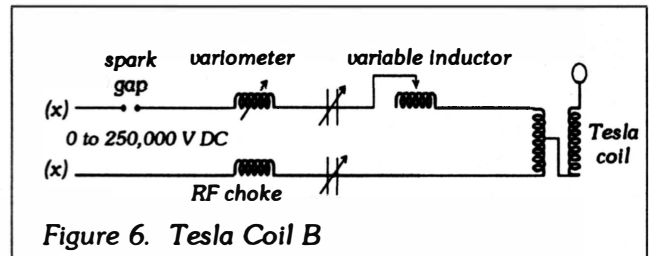


Figure 6. Tesla Coil B

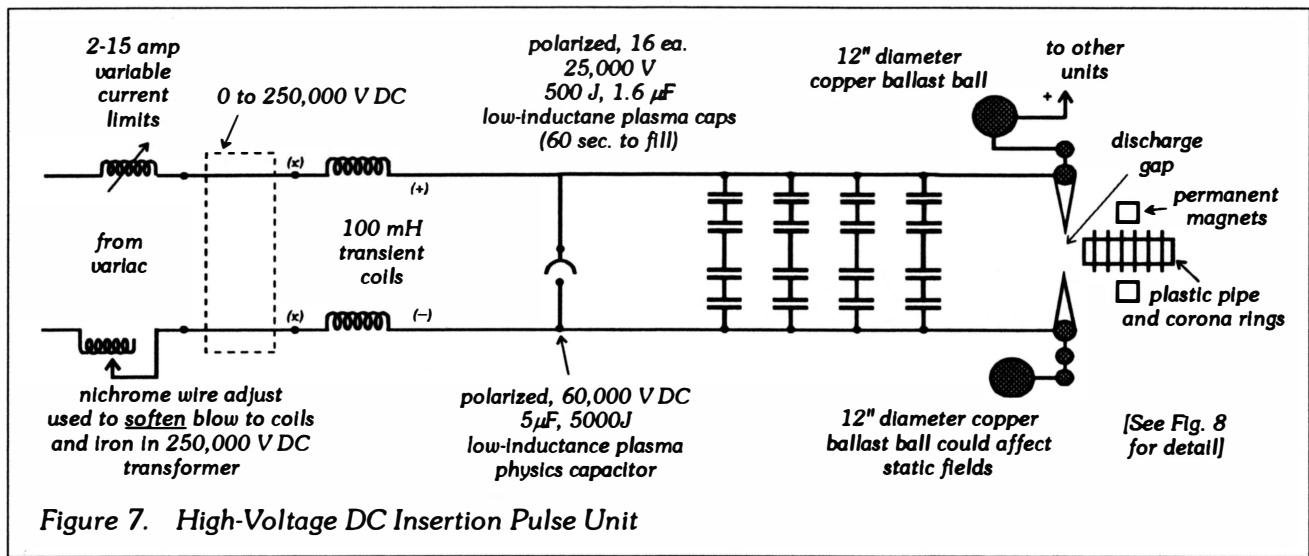


Figure 7. High-Voltage DC Insertion Pulse Unit

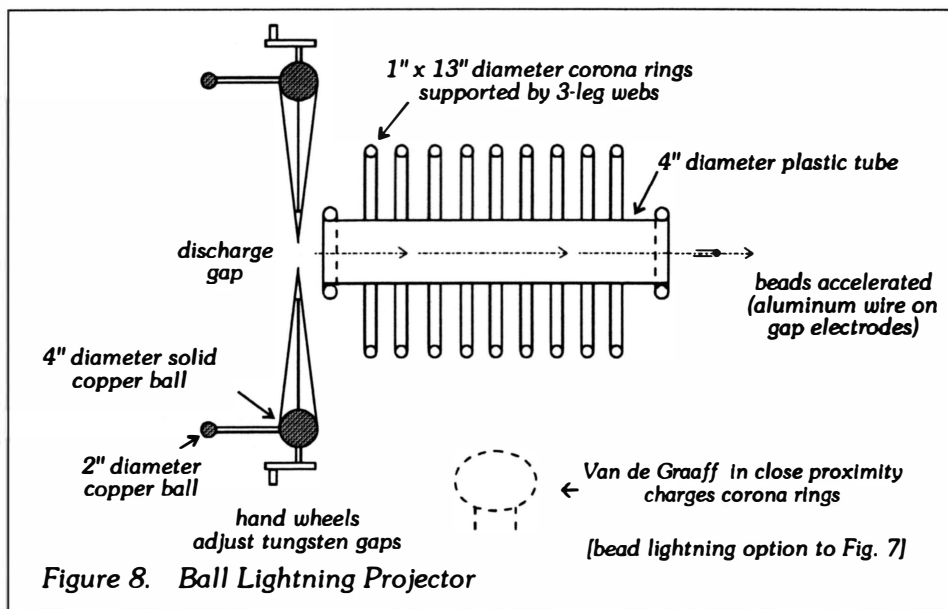


Figure 8. Ball Lightning Projector

The electronics of a vacuum tube Tesla coil are shown in Figure 4. Figures 5 and 6 show rough schematics of the Tesla coil circuits.

The schematic of Figure 7, powered by a high-voltage transformer, generated strong electric field pulses for a number of uses, including the projection of bead lightning, as illustrated in Figure 8.

One setup, illustrated in *Figure 9*, seemed to produce changes in the cosmic background radiation.

If I increased the variac output to the Siemens transformer to increase the high-voltage DC on the large toroid, while keeping the rest of the laboratory system running, the Geiger counter would drop to near zero counts per minute within a 75-foot diameter zone. Yet, the reverse was possible (to increase counts) if I dropped the toroid voltage and increased all DC voltages to the laboratory system of Tesla coils (via tank circuits), RF coils, spark gaps, toroidal coils, and tension on the nuclear unit. The AC part of the laboratory system would be maintained at the same level. *Figure 10* shows a schematic of pulsing to the large main toroid.

Some years ago, Drs. Lakken and Wilson argued over whether a "ball" of alpha-beta flux formed and deposited on the test samples. I personally don't believe so. I believe the alpha-beta flux was guided to the masses by being connected to high-voltage DC levels, by magnetic pulse fields, and excited by my mechanically-pulsed magnetron which excited the geometric metal. The idea is to excite the surface skin of the masses and their atoms to create an unstable space-time situation. This might allow the fields from the Tesla coils and RF generation equipment to lock up in a local space-time situation. My thought is that now a small amount of energy is released from the vast reservoir in space-time at the sub-atomic level to create a disruptive or movement effect.

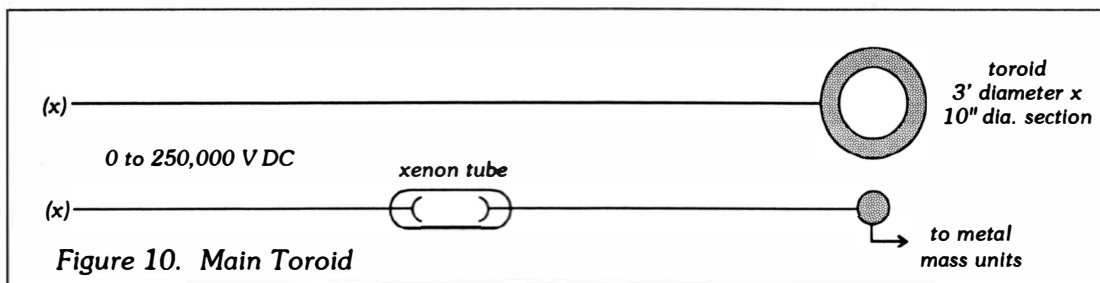
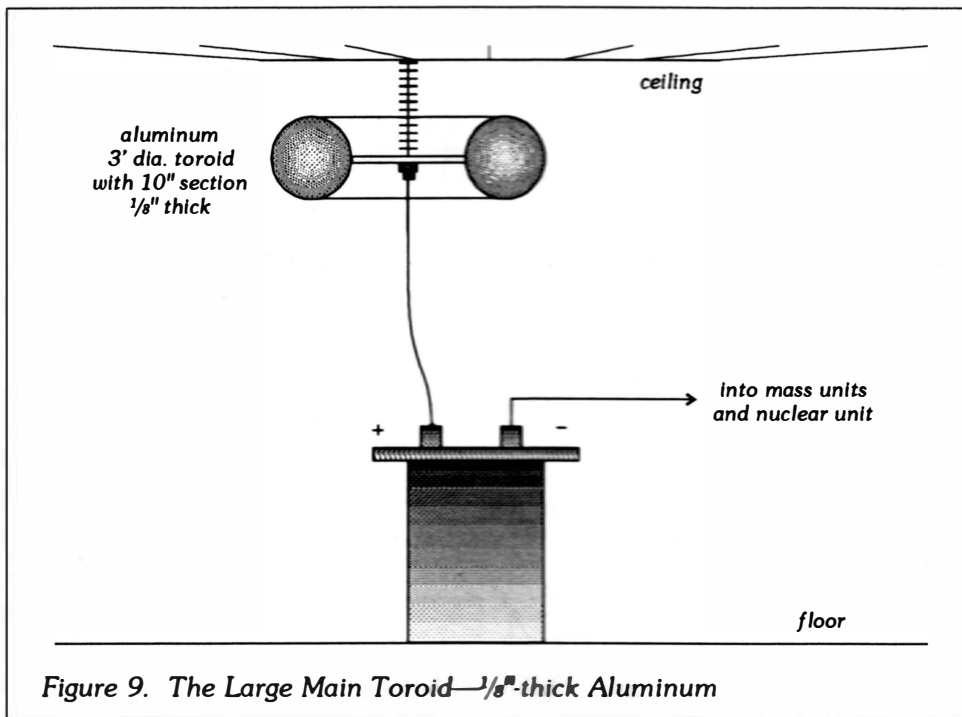
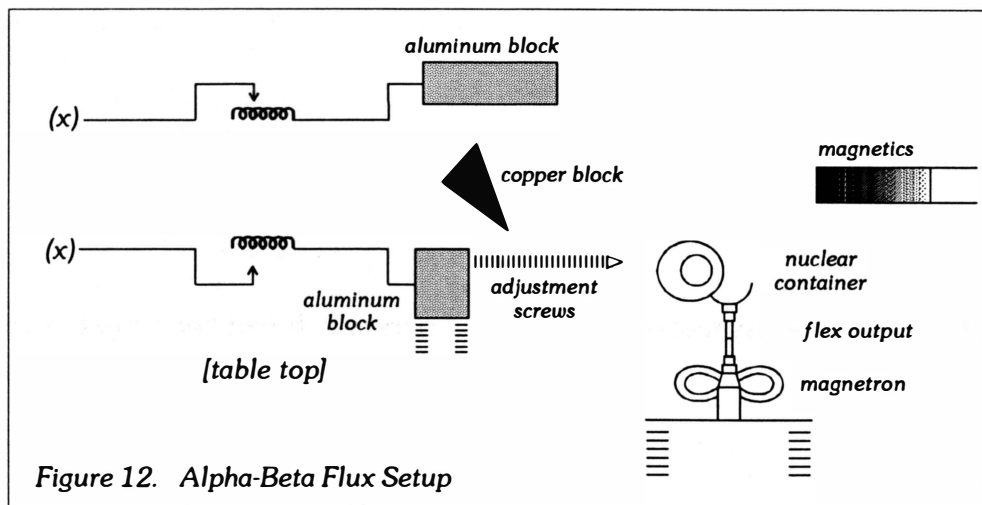
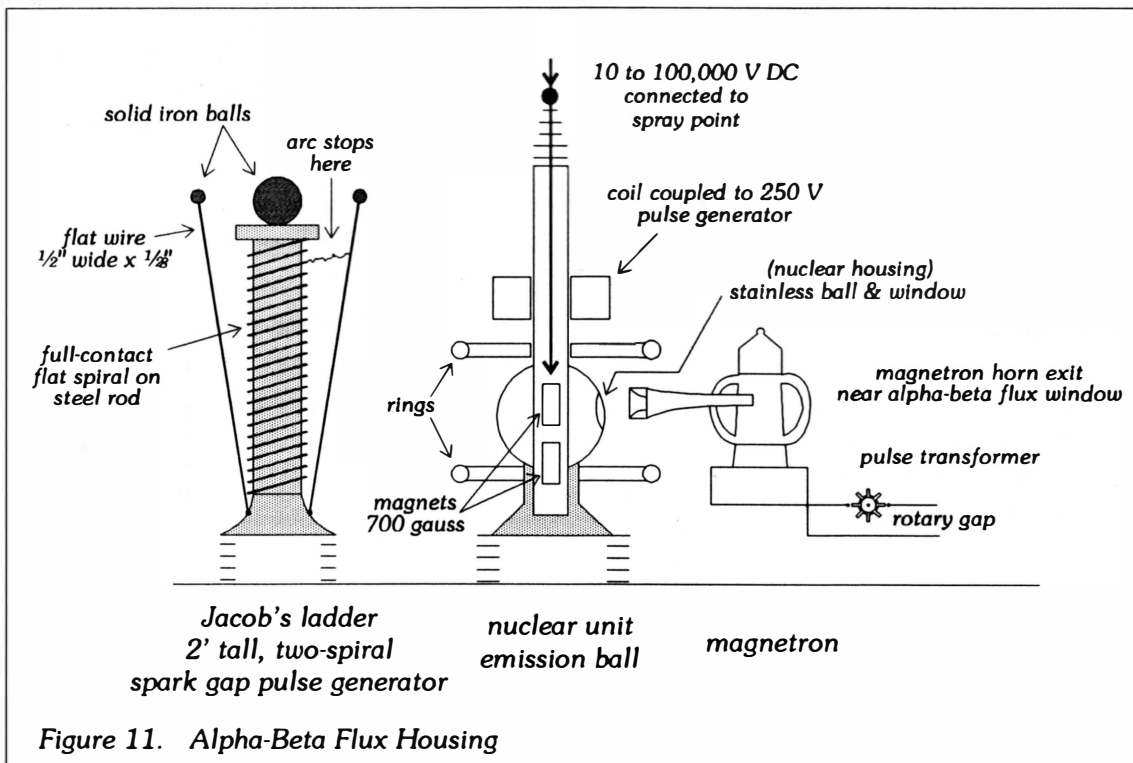


Figure 11 is a cutaway showing the nuclear section in the center of a Tesla coil. Note how I have the feed horn close to the window area. This area was also bathed in a 30,000-volt static electric field plus a weak magnetic field of only 700 gauss which was variable. A two-spiral spark gap unit is also shown in Figure 11.

The radioactive material to provide alpha-beta emissions was contained in a stainless steel ball which had a thin window section. A four-

gigahertz magnetron pulsed by an old rotary spark gap system sent microwaves by the window exit section. Small masses were placed close to the influence of the alpha-beta flux. The radioactive source was also under high-voltage DC and pulsed coils (50,000 to 100,000 turns) to produce traveling wave type magnetics and electrostatics to assist alpha-beta flux bunching and guidance. This all interacted with other surrounding equipment. Some additional arrangement is shown in Figure 12.



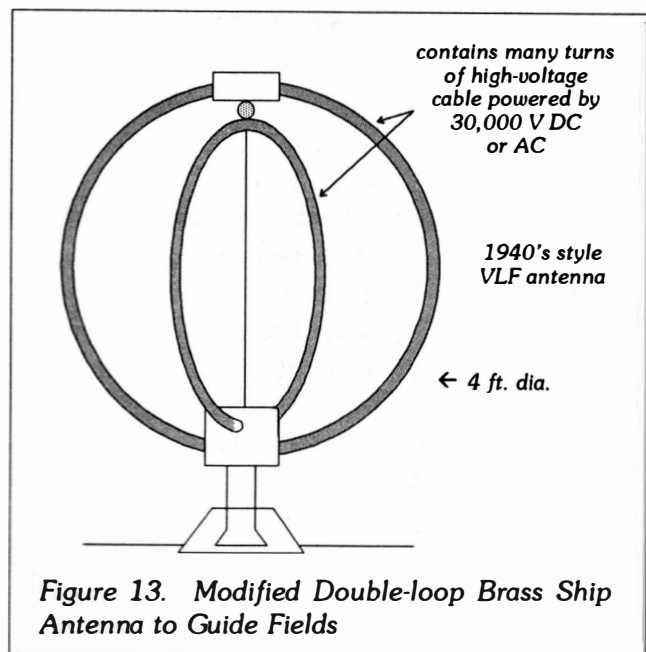
Magnetics

A current limiter was used on "Big Red," a fifty-kVA, 89,000-volt transformer. A five-Hz spark-gap discharge went simply to a copper ground plate. The plate was movable and placement of the plate proved successful to later experiments.

My current limiter was made from 4" x 4" laminations stacked fifteen-inches high and number-eight wire wound six layers thick. The pulsing of the iron core proved its worth in tests. Its location was near the heart of my apparatus. Because it was a heavy unit, casters were needed to move it. The unit's pulse affected the electrostatics and Alpha flux, when close. The Alpha flux dropped off at two feet. Two other units in the setup were double-loop brass ship antennas five-feet high, as shown in Figure 13.

These are some basics of my laboratory. I excluded RF generation and coupling and all the radar-jamming devices I used later. I could precisely set up a pattern at 2000 mHz at 100 milliwatts. I could give or take (\pm) 1000 mHz, add pulse rate, CW or modulation of any form.

Placement geometry is of great importance to key units of the electrostatic field and sparkgaps. The electrostatic field must cover all components. Helping to do this are copper balls mounted on insulators. The large ball keeps its charge longer while small ones discharge faster. In a way, you have a pulse network working along with dynamic electricity, and the small influence of the 250-milliwatt magnetron close to the alpha-beta flux. In the zone is weak magnetics, permanent



magnets, and electromagnets of the traveling wave tube (TWT) barrel types. Thus, perhaps a transformation takes place on the subatomic level in all of this, and a conversion zone takes form from the surrounding equipment. This zone seems to transform again to zones beyond the lab, up to 500 feet away, in the form of a cylinder. There appeared to be a zone at a distance of fifteen feet. Samples placed in it sometimes levitated or broke apart.



Figure 14. Hutchison's Setup of Receivers and Monitors

Sample Reactions (Extracted from Reports)

The effects of unexpected field interactions are shown in *Figures 15 and 16*. One sample, a piece of aluminum four-inches long by 1/2-inch square, had been shattered in the center. It would be expected that only a few watts were in this zone, compared to the 4000-watt input feeding all the equipment. Our sample had exploded from inside out, torn into thousands of filaments. The filaments measured .010" to 0.50" long and .008" to .012" thick. The event volume expanded outward from the mass center in seeming reaction to a force of mutual repulsion between filaments.

The field lines picturesquely frozen in the aluminum filaments are functionally identical to those we observed at a point of fracture of a permanent bar magnet of the same geometry. The force exerted on the aluminum filaments was sufficient to split a large number of the outermost strands and fold them back along the "field lines" to such a degree that layers of them are compacted together, against the solid surfaces of the sample.

The material within the event volume was much harder and quite brittle compared to the original extrusion alloy, which was quite soft. All surfaces evidenced a mottled appearance and regular

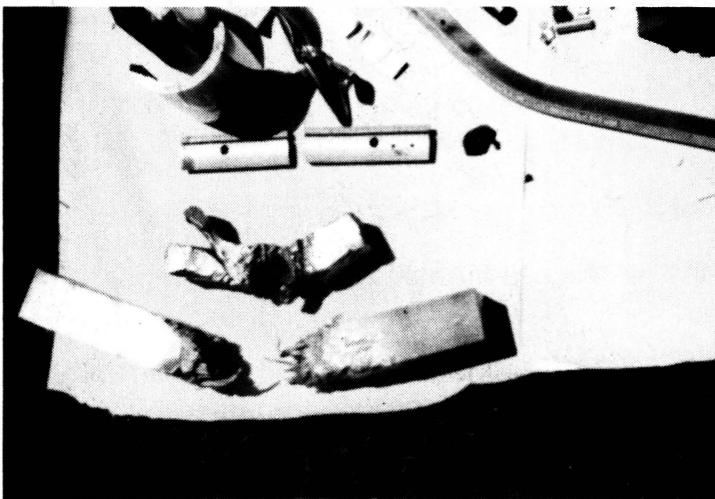


Figure 15. Aluminum and Brass Bars After the Effect

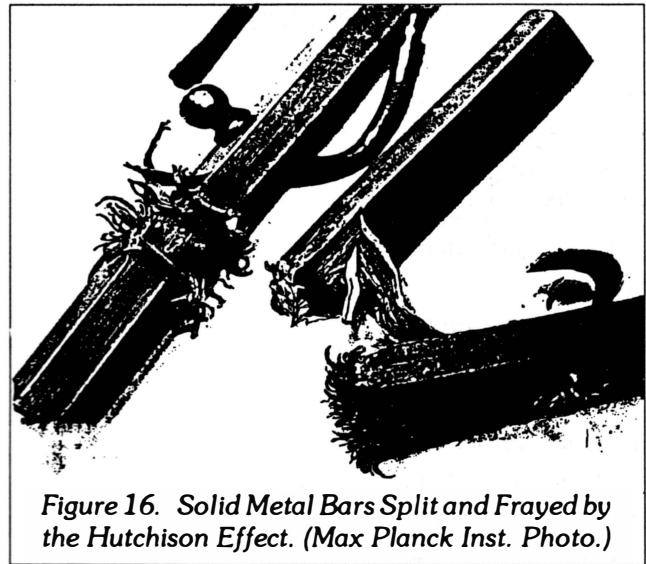


Figure 16. Solid Metal Bars Split and Frayed by the Hutchison Effect. (Max Planck Inst. Photo.)

structure, while having none of the characteristics associated with plastic deformation or melting. Physical characteristics were typical of crystalline materials sheared along bonding planes. The number of filaments probably exceeded 100,000, effectively increasing the surface area within the event by tens of thousands of times.

Another sample showed inexplicable material mixtures: wood was found in an aluminum block tested by Siemens Laboratory, Germany. Also, dense, impossible alloys of elements forming unknown materials were found by work of Max Planck Institute, Germany. Because so many different effects happen, including levitation, we can speculate the RF and support field operators are working in a narrow region of the "zone of effects." These random events sometimes happened at about five-per-hour in 1987, '88, and '89.

It is an unpredictable probability for all operators to synchronously combine to cause an effect. For events like slow lift and slow disruption, the operators combine under simple stable outputs, amplitudes, and frequency. Our space-time window would have to be described on the subatomic level for the understanding of the Hutchison Effects.

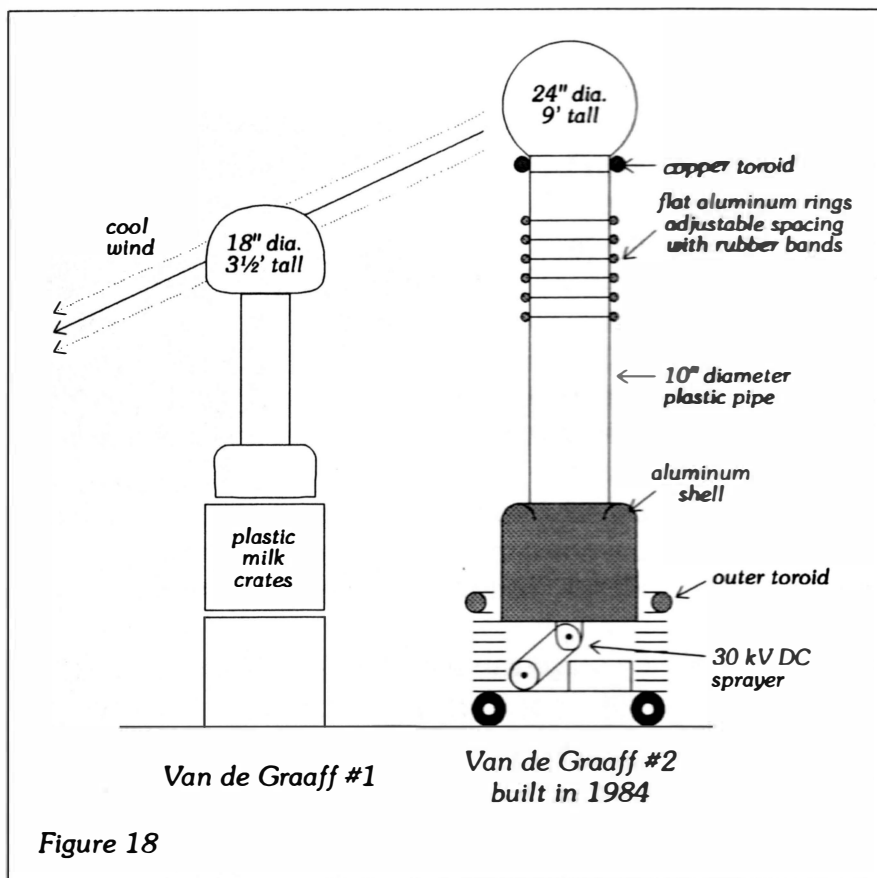
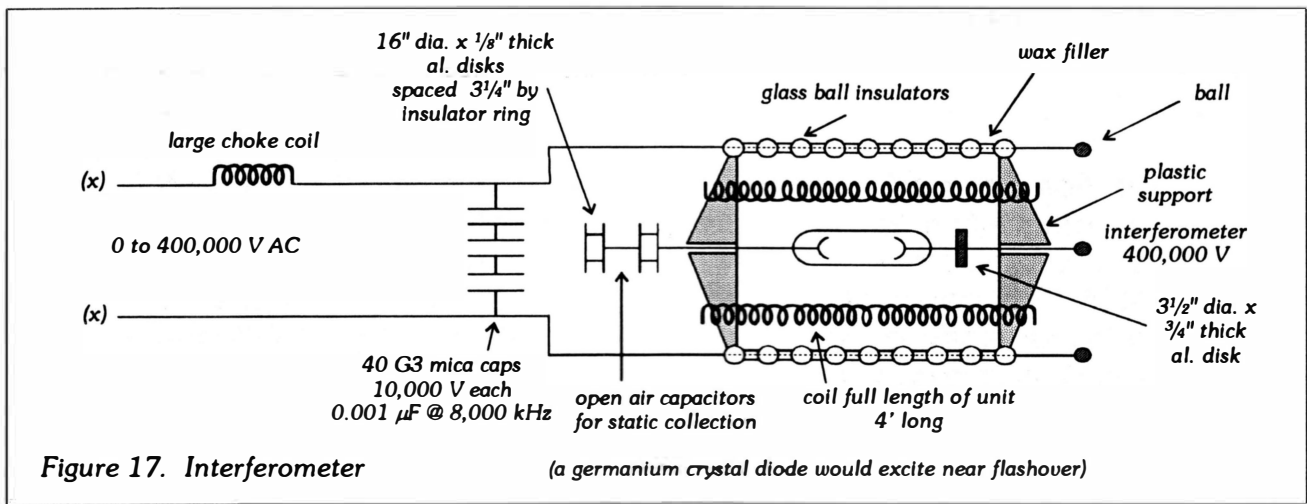


Figure 17 is another pulsing circuit device I call the interferometer. Electrostatics were produced with two Van de Graaff generators. When arranged as shown in Figure 18, cool wind effects could be produced. These machines were used to impose an electrostatic field in the test area.

be reached by mail at 731 5th Avenue, Apt. 306, New Westminster, British Columbia, Canada, V3M 1X8. ★

Acknowledgments

I would like to thank those individuals associated with Pharos Technology, the Max Planck Institute, Los Alamos, McDonnell Douglas, BAM Labs Germany, Fraunhofer, the Austrian and German groups, the DOD groups, and individual input from Japan, Greece, England, Canada, USA, Switzerland, France and the Yin Gazda International Filmmaker, for the interest and support they all have shown.

About the Author

John Hutchison is the classic independent individual experimenter—a self-made physicist. Mr. Hutchison can

The Hutchison Effect

by George D. Hathaway, P. Eng.

Adapted from a paper published by The Planetary Association for Clean Energy, Inc. in 1990 (1), the following account concerns an unusual phenomenon called "The Hutchison Effect," which involves levitation and molecular disruptions. This effect resulted from a complex interaction of electrical devices, including those of Nikola Tesla and Robert Van de Graaff. John Hutchison of Vancouver began this research in 1979. George Hathaway of Toronto, Canada, herein explains this effect, with detailed information from John Hutchison's laboratory, his own analyses, and video documentation.

Material levitating, objects floating around, and breaking steel bars without any visible contacts make the Hutchison Effect a fascinating phenomenon that one might love to have in his basement.

Alexis Pezarro and I formed a company called Pharos Technologies, Ltd. in 1980 to promote the Hutchison Effect. In our early presentations we referred to it as the Lift and Disruption System. At the time Pezarro was interested in oil and gas discovery by novel means, and I was involved with scientific instrumentation and measurement.

The Hutchison Effect is divided primarily into two categories of phenomena: propulsive and energetic. The system is capable of inducing lift and translation in bodies of any material. That means it will propel bodies upwards, and it will also move them sideways. There are four kinds of trajectories. These are explained in the "Lifting Phenomena" section. It also has very strange energetic properties, including severely disrupting intermolecular bonds in any material, resulting in catastrophic and disruptive fracturing, samples of which are described here. It is also capable of causing controlled plastic deformation in metals, creating unusual aurora-like lighting effects in mid-air, causing changes in the distribution of the chemical content in metals, apparent development of magnetic monopoles, and other long-range effects at distances up to 80 feet (24 meters) away from the central core of the apparatus--all at low power and at a distance.

The system acts like a single entity, but is made up of many discrete components. It has many inter-related parts, and unfortunately from the standpoint of analyses, the inventor continually added more. It was discovered fortuitously by John Hutchison, while experimenting with early Tesla systems and static machines such as Van de Graaff generators.

In 1979, in my lab was a collection of machine tools, ham radio equipment, Tesla coils, static generators, transformers, RF generators and much more, I discovered an odd effect. Let me say that I would have Tesla coils turned on, RF generation equipment, static generators and geometric metal masses under load in the center, a uranium alpha beta flux in a copper tube....I should mention who led me into this new world: Alexis Pezarro, George Hathaway, and Tom Bearden.(2)

The earliest explanation was given by Mel Winfield of Vancouver, whose name may be familiar from Dr. Hans Nieper's 1988 Congress in Germany. He suggested that the explanation for the phenomena was due to a method of making the electromagnetic fields spin or swirl in some unknown way.

Pharos Technologies, Ltd. was involved in three phases of development. The first phase was in the basement of the house in which John Hutchison lived in Vancouver where his original work was done. This was the Phase Zero development. Phase I was when we stepped in with some money

and took the equipment from the original location and put it in a more reasonable setting. Phase II was a third location prior to its being dismantled and put into storage by Hutchison.

The main feature of this technology, apart from its unusual phenomenology, is that it is highly transitory. The phenomena come and go virtually as they please. One has to sit with this apparatus between six hours and six days before one actually sees something occurring.

This makes it virtually impossible to interest someone who would like to try to develop it or to assist in funding, for instance. You can't assume that someone will sit there who is ready to help develop a technology and have him wait and wait, and perhaps nothing will happen. It's unusual to ask someone to wait six days for a phenomena that they're interested in developing commercially. So one can imagine that we've had some difficulty in the past in financing this program.

It was extremely difficult to get around in the first laboratory (Phase Zero) in Vancouver. It was so densely packed with equipment that you could not find a place to put your foot down. You had to step around all sorts of objects that were put on the floor.

Disruptive Phenomena

The following is documented on video: a bushing is shown breaking up. It was a steel bushing about 2 inches (5 cm) in diameter by 3 to 4 inches (9 cm) long. In another part of the film, Hutchison warms up the system. He then puts coins and bits of styrofoam where he believes the active zone will be. This determines the optimum place for positioning the test objects, which will either take off or burst. The first thing that happens is a quarter (\$.25 coin) starts to flip and vibrate. He then

knows he should concentrate putting specimens in that zone, and he does so. We see some water in a coffee cup that appears to be swirling, although it's not. It is merely the surface rippling by some electromagnetic means, and the coffee cup is dancing around on top of a milk carton. It's another way for him to determine where the zone is. Then we see a flat file 8 inches (20 cm) long breaking apart. This file broke into four more or

less equal-length sections. Normally, if you break a bar magnet, you know that you break it north-south, north-south, north-south, etc., so the parts tend to stick back together again. In this case the segments were magnetized the wrong way by some phenomena unknown to me, and they repelled each other when they were put together at

the breaks. This may be indicative of the development of large-scale monopolar regions that are of such intensity that they disrupt the material itself. It's as reasonable an explanation as I or anyone else has been able to make.

Lifting Phenomena

We then proceed to document some lifting phenomena. The objects that are lifted in the first part of this section are on the order of a few pounds. All of them lift off with a twist. They spiral as they lift off. There has to be a particular geometry with respect to down (gravity) for them to take off. If you lay some objects on their sides, they won't take off. If you turn them on their ends, they will takeoff. The geometrical form of the objects, their composition and their relationship to their environment--the field structure around them that is being created by the device--all play a part in how these things take off.

There are four main modes of trajectory that these objects can follow if they do choose to take off: (1) a slow looping arc where the objects will take off very slowly in a few seconds and loop and fall

back somewhere else. It is almost as if the Earth moves underneath them while they are in flight, and they fall back in different locations; (2) a ballistic take-off. In other words, there's an impulse of energy at the beginning of the trajectory with no further power applied to the lifting thereafter, and the object hits the ceiling and comes back down; (3) a powered trajectory where there appears to be continuous application of lifting force. I have some evidence taken from the video; and (4) hovering--where objects just rise up and sit there. The objects can be of any material. For example: sheet metal, wood, styrofoam, lead, copper, zinc, amalgams. They all either take off or they burst apart, or they do nothing--which is 99% of the time.

Lighting Phenomena

A strange lighting phenomenon occurred only once in 1981 when Hutchison happened to be filming. The most spectacular results were observed. Suddenly a sheet of iridescence descended between the camera and some of the apparatus and one saw a multi-colored sheet of light. It had a strange pinkish center to it and hovered there for a while, and then disappeared. Hutchison thought he was hallucinating. When we developed the film, however, something was definitely there.

Also in this video we observed heavier objects taking off, including a 19-pound (8.6 kg) bronze bushing and water in a cup that was dancing around, the surface of which was vibrating. There were no ultrasonic or sonic devices in this particular series of experiments. There were no magnetic components underneath or over top. There were no field coils underneath or over top or anywhere within 6 feet (1.8 m). These images were taken while the apparatus was performing at peak, and show the best results for the earliest experiments.

Instead of lifting objects, Hutchison will sometimes purposely try to destroy them. In one case, a ¼ inch round rattail file rests on a plywood base and is held down from taking off by two plywood pieces. Beside it are some quarter and penny coins. The file is glowing white hot and yet there is no scorching of the wooden plywood pieces that are

holding it down. None of the coins are effected either. With RF heating theory you can have eddy current heating on the surface and it's almost cool to the touch very shortly thereafter. It's still unusual that there is no conductive heat transferred to the wood.

From time to time there are scorch marks on the boards from other experiments. The apparatus makes fire spontaneously appear in parts of the lab if you're not careful.

The original (Phase Zero) lab set-up was primitive, crowded, had poor connections, and had hand-wound coils. The films that have most of the best lift episodes, however, were done in this early set-up, drawing a maximum of 1.5 kilowatts continuously from house-mains.

The disruptive part of the Hutchison Effect has produced many confirmatory physical samples, including: water, aluminum, iron, steel, molybdenum, wood, copper, bronze, etc., with many shapes, sizes, and masses. Certain materials are subject to certain influences depending on shape, composition, and other factors.

We have tested various pieces that have broken apart for hardness, ductility, etc. We have used optical and electron microscopes. We have taken SEM (Scanning Electron Microscope) pictures with EDAs (Energy Dispersive Analysis) to determine the composition at various points.

One sample of aluminum was twisted up in a left-handed spiral, another aluminum sample was blown into little fibers. A molybdenum rod used in nuclear reactors should be able to withstand temperatures of about 5,000 degrees F. Hutchison and Pezarro watched it wiggle back and forth like soft rubber, and stopped the apparatus halfway through a wiggle. The rod, once rigid and straight, was now bent.

A collection of metal pieces was blasted apart or twisted. The largest piece was about 12 to 13 inches long, two inches in diameter, and made of regular mild steel. A 3/8-inch piece was blasted off the end and crumbled like a cookie. Fragments

were analyzed to have anomalously high silicon content, although the original material was not a silicon steel. Another piece was 5 to 6 inches tall, and 1¼ inches in diameter, and made of case-hardened steel. The case-hardening was blown off at the top and about ¾ inches of it vaporized during an experiment. There were also various pieces of aluminum and steel. A boring bar was on a shelf about 10 feet away from the center of the apparatus. Hutchison did not see it happen. It bent into a tight U and deposited a quantity of copper at the bend. The copper seemed to somehow magically come out of the solid solution--if it was ever in solution in the first place--and agglomerate as globs at the break. As far as the aluminum was concerned, it's a volume effect, not merely an eddy-current surface effect. The whole thing was blasted right through.

was analyzed for composition and showed anomalously high amounts of copper.

With a little higher magnification for Figures 1 and 2, we see what happens in a polished aluminum sample under the SEM (Scanning Electron Microscope). Figure 1 shows two main horizontal fracture zones. This is a polished sample, which is why it looks nice and clean. Notice the unusual globules forming (positions B & C). We examined these particular globules and they're virtually pure elements. One is copper, another is manganese and others are different elements. These globules seem to arrange themselves along planes, which are no doubt the ones that split apart and delaminate into fibers.

Microscope photos taken by the University of Toronto showed an aluminum specimen at about 70 times magnification where the whole surface was torn apart, as if it were gouged randomly by some mechanical means. It had neither been smoothed and polished nor subjected to x-ray or dispersion analysis yet. A piece of iron

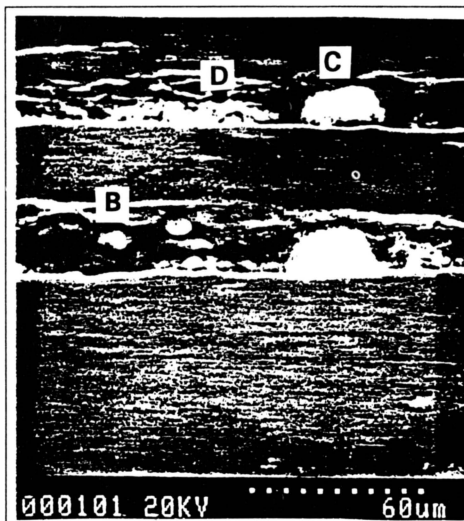


Figure 1

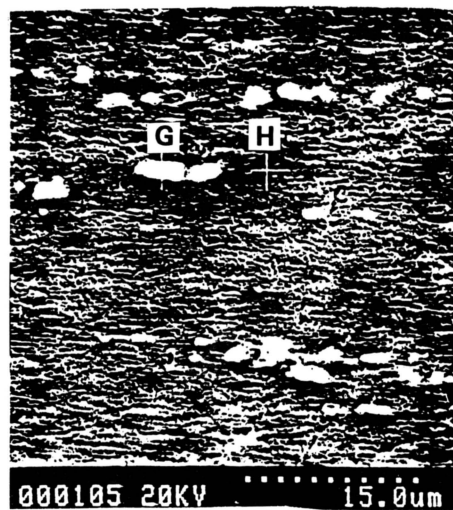


Figure 2

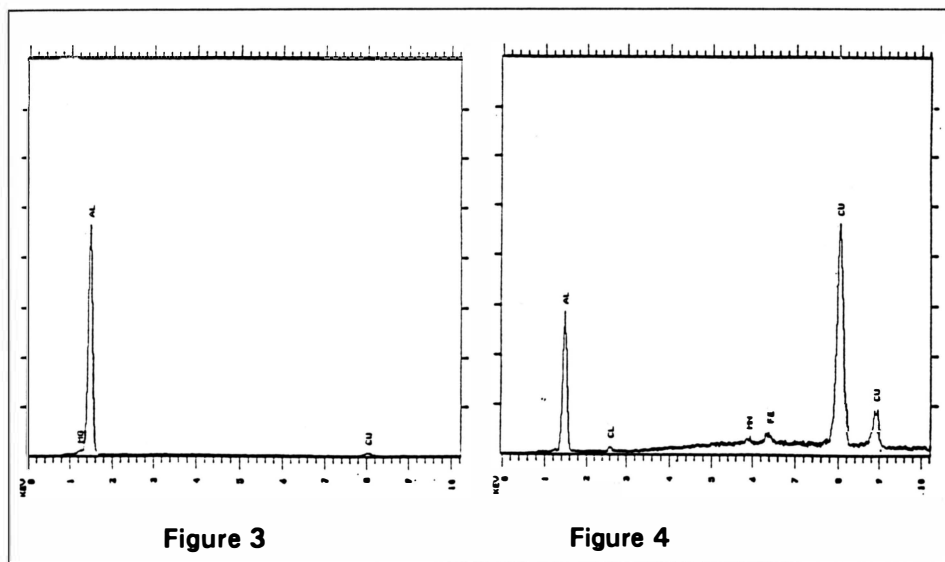


Figure 3

Figure 4

Figures 3 and 4 show the relative elemental abundances of locations H and D in Figures 1 and 2. Normally, the aluminum comes out looking like Figure 3. The average is mostly aluminum, of course, but with a bit of copper in it. And yet Figure 4 shows an area around where the fractures occur and we see we have actually located

one of the copper blobs, plus some chlorine from our fingers. Usually you see some chlorine and sodium from salt in your hands when touching samples. It's certainly telling us that something unusual is happening. I have not seen another apparatus that makes the alloying material in an alloy come out of the solid solution. Usually it's totally dispersed in the melt but in this case we're "undispersing" it somehow.

radio transmitter that he had switched on for the operation, and it had a 3-foot whip antenna. Later he replaced that, likely because it broke, with the small Tesla coil, which is about three feet off the ground and is about 1½ feet high.

Spark gaps and tank circuits line one wall. There's a 21 kilovolt transformer in front of the inductors from a Picker x-ray machine that powers a number of these spark gaps. The gaps fire at a 60-cycle rep rate. There is a double-ended "dumbbell" Tesla coil suspended from the ceiling. There is a large Tesla coil, a field-shaper, a Van de Graaff generator, and a Tesla disruptive discharge coil. The latter is a double-ended, iron-core transformer. This distance is approximately 12 feet between the large Tesla coil and the small Tesla coil. Between them is referred to as the active area,

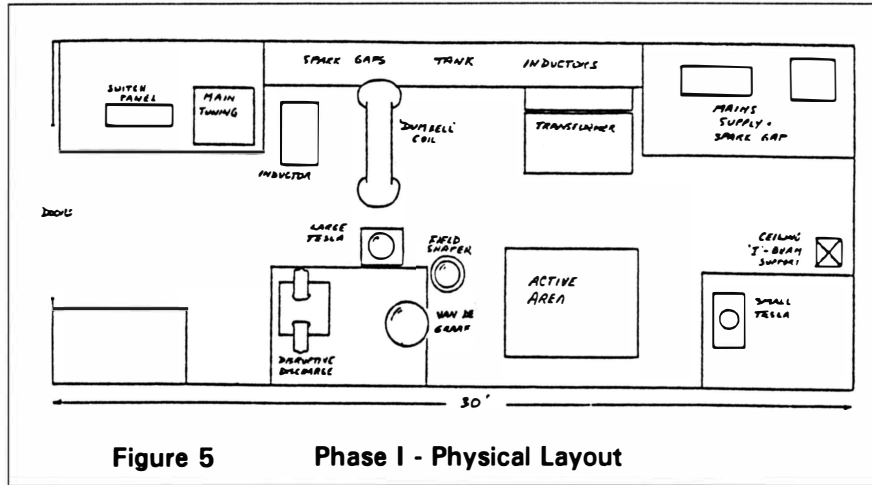


Figure 5 Phase I - Physical Layout

Phase I - Laboratory Set-up

The experimental set-up for the Hutchison Effect is shown in Figure 5. This plan shows the first (1983) set-up under Pharos' control. It was set up to try to attract more funding. I put it together by picking out the essential bits of the apparatus and assembling them. A number of these samples came from this lab.

The field-shaping unit is basically an elevated aluminum sphere about 11 inches in diameter. The essential ingredients of the power supply are two 15 kilovolt neon transformers. Large steel masses were all over the place. In his first and most effective experiments, Hutchison had a 400-kilohertz continuous wave generator instead of the small Tesla coil. It's basically a low frequency

which is basically a platform on which we put objects of whatever material we wish and hope that they'll leap to the ceiling or burst apart. The main tuning control consists of several high-voltage variable capacitors and various inductors.

This laboratory set-up replicates Hutchison's origi-

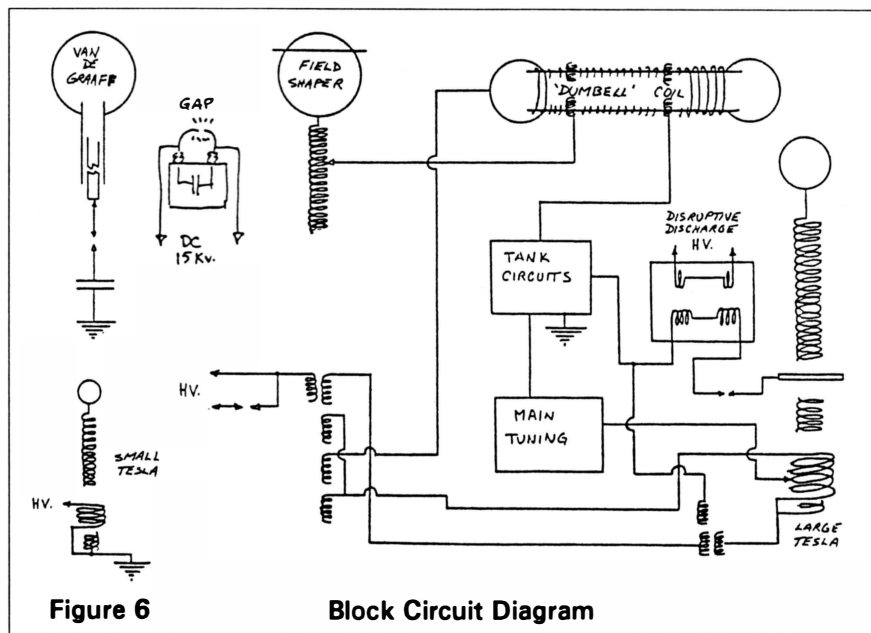


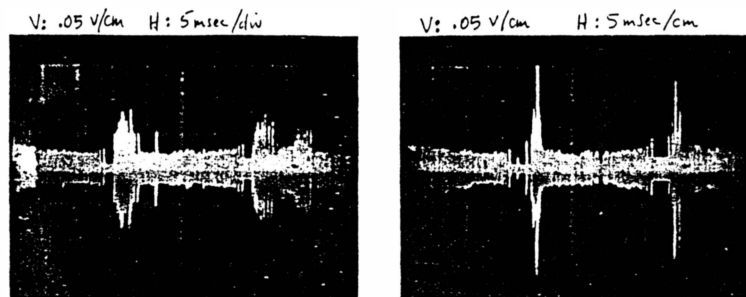
Figure 6 Block Circuit Diagram

nal. Therefore I did not make nice connections, etc. except I tried to use a minimum number of components. The large Tesla coil is 4½ feet tall (secondary), a few thousand windings of number 27 or 30 enameled wire. It has a toroidal coil of about 12-gauge resting near its top. The Van de Graaff generator is about 250,000 volts DC maximum. It has an approximately 12-inch diameter ball. Various tuning capacitors, high voltage transmitting caps of varying capacity and RF coils are scattered around. Overhead is the double-ended "dumbbell" Tesla coil with its electrodes with the double toroid primary. Below is a spark gap that snaps every 40 seconds or so, and in the back corner is the small Tesla coil. It's a double 807 triode Tesla coil that has a nice spot frequency of about 760 kilohertz. When

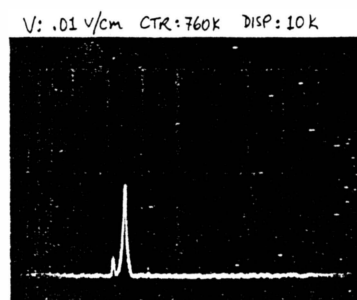
powered normally, the large Tesla coil resonates somewhere around 330 kilohertz.

The general block circuit diagram in **Figure 6** shows the Van de Graaff generator by itself on the left and it goes through a gap and a capacitor. The gap is never firing to ground! The small Tesla coil is shown underneath. It is a little experimental Tesla coil sitting by itself (dual 807 tubes). All components are powered from a single 15 amp, 110 volt, 60 Hz supply. The main spark gap shown by itself is about 3/8 inch wide, which is powered by a 15-kilovolt DC supply across a capacitor. It snaps every 40 seconds or so and causes a great blast. There is no time correspondence between the snapping of that gap and objects taking off or dismembering themselves.

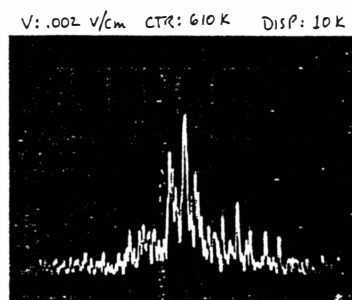
Figure 7



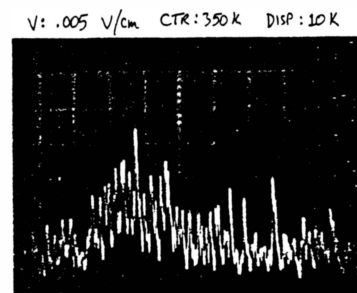
60 Hz bursts with classical Tesla coil decays



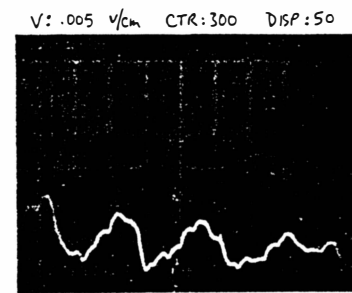
Small coil peaking at 760 kHz



610 kHz sideband



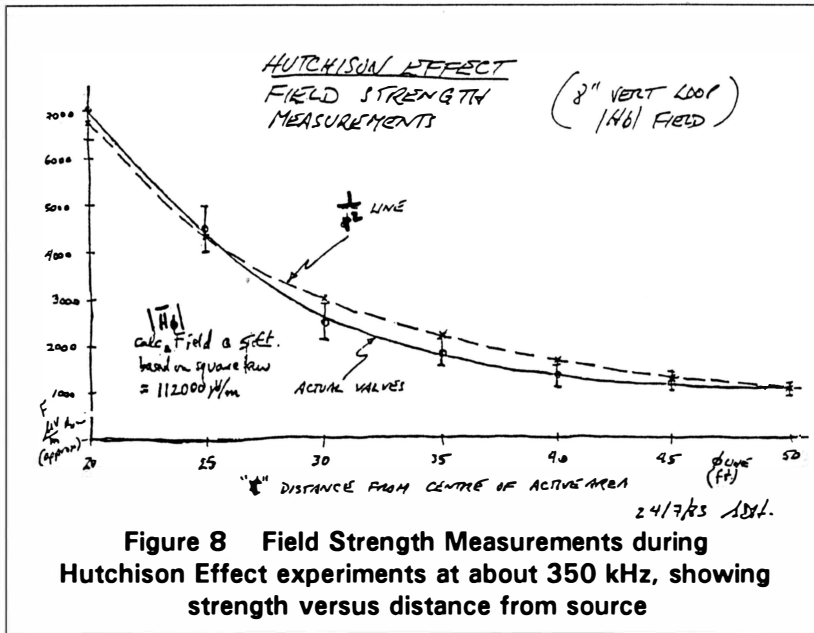
Large coil at 350 kHz



300 Hz emission source

Field Strength Readings

I should mention some of the field strength readings that we have taken. Some of these results are shown in **Figures 7** and **8**. The magnetic field is taken with a field strength meter using an 8-inch vertical loop. Electric field measurements were also made. The top two traces of **Figure 7** show the 60-cycle bursts, a classical kind of Tesla decaying wave forms. The bottom four traces are frequency spectral analyses. The middle left shows the small Tesla coil by itself with a little side band, but its main peak is approximately 760 kHz. (CTR is the center frequency used in spectrum analysis terminology.) In this case, center frequency is 760 kilohertz; dispersion is 10 kHz; and the vertical scale is relative strength. The large Tesla coil shown in the bottom left, (center frequency is around 350 kilohertz) is a messy, noisy spectrum because the large Tesla



coil is not powered in the normal way. It is powered merely inductively. There is also a peak around 610 kilohertz (middle right) which is probably a side band. Bottom right has a center frequency of 300 Hz, probably from the fluorescent lights. We tried to scan from low frequency right up to several megahertz.

Figure 8 shows field strength measurements at approximately 350 kilohertz. We took a relative field strength reading from which I have imputed a strength in microvolts per meter, the vertical scale going up to about 7,000. The solid line indicates the measurements that we made with approximate error bounds, and the horizontal scale is in feet from the center of the apparatus. The dotted line is an inverse square line just for reference. There is nothing unusual here.

Conclusion

Neither Hutchison nor I know the specific function of any of this apparatus in producing these phenomena, and one of the primary reasons for this presentation is to foster collective investigation leading to an understanding of what is going on. I do not know the mechanism whereby this assemblage of components causes objects to lift. I can come to some reasonable conclusions and explanations as to why this assemblage of apparatus causes things to burst apart.

References

(1) Hathaway, George D., "The Hutchison Effect - A Lift and Disruption System," ed. A. Michrowski, The Third International New Energy Technology Symposium/Exhibition June 1988, The Planetary Association for Clean Energy, Inc., 100 Bronson Avenue, Suite 1001, Ottawa, Ontario, Canada K1R 6G8, 1990, pp. 77-103. Adapted by permission of Dr. Andrew Michrowski. [The complete paper presented by George Hathaway is available from P.A.C.E.]

(2) Hutchison, John, "Hutchison Effect," *Planetary Association for Clean Energy Newsletter*, Vol. 6, No. 2-3, May 1991, p. 18.

About the Author

George Hathaway received a B.A.Sc. in Electrical Engineering, from the University of Toronto in 1974. He is currently a lecturer in computer graphics as well as Vice President and Director of R&D for a Canadian high-tech company--developing novel and unconventional sources of energy and propulsion methods.

An active member of many different organizations, Mr. Hathaway has extensive experience in a large variety of areas including energy, computers, and instruments. He may be contacted at: Hathaway Consulting Services, 39 Kendal Avenue, Toronto, Ontario M5R 1L5, Canada. ❑



RAINBOW IN THE LAB: THE JOHN HUTCHISON STORY

by Jeane Manning

The following is a personal portrait of the experimenter, John Hutchison. Sources of information include documents and interviews with Hutchison, his family and others. Some names have been changed for those individuals who may not wish to be identified.

John Hutchison's high voltage equipment created electric/magnetic field interactions that anomalously affected objects caught in the fields at a distance. Metal chunks and objects up to 60 pounds levitated or were violently propelled and twisted. The Hutchison Effect seemingly changed the molecular structure of metal samples. Although the equipment was massive, the actual power input was relatively small.

Origin of the Hutchison Effect

The first Hutchison Effect was an accident. In his Lynn Valley (Vancouver) laboratory in 1979, Hutchison fired up the high voltage apparatus. He felt something hit his shoulder, threw the piece of metal back where it seemed to have originated, and it flew up and hit him again. He figured that others who were playing around with old Tesla equipment, fiddling with dials and tuning it--must be getting the same propulsive and lifting effects!

He went to a metaphysical lecture at a bookstore, and met the owner, Mel Winfield. "I rescued an electro-static machine out of his basement," Hutchison said, "...and I indicated it would probably enhance my field structure."

Winfield, however, says he himself suggested an improvement to Hutchison's experiments. George Hathaway credits Winfield for originally suggesting that the Hutchison Effect was due to a spinning or swirling of electro-magnetic fields in some unknown way.

Winfield got Hutchison into a psychic fair to demonstrate his apparatus. There Hutchison met

Vancouver businessman, Alexis Pezarro, who later brought in Toronto engineer George Hathaway to form a company called Pharos Technologies Ltd.--to promote the Hutchison Effect. (1)

Hutchison was flown to Toronto by Pharos after the 1981 First International Symposium on Non-Conventional Energy. (2) A highlight of that trip for Hutchison was seeing a working free energy device--the Hans Coler device. The unit weighed less than five pounds and put out 40 milliwatts with no moving parts, Hutchison recalls.

Hutchison's Earlier Years

His experiments had already started in 1955. "My first adventure is when I took the school radio apart at age ten and got a master spanking," he said. He started puttering with chemicals at 14. He had to face school with the handicap of being very near-sighted, as well as the distraction of his mother's illness.

These and other difficulties interrupted his formal education after eighth grade. He continued to devour information, however, and frequently studied on his own at North Shore College.

He read about Nikola Tesla in a Collier's Encyclopedia. His father recalled Tesla coils in the backyard when John was 18, startling neighbors in the quiet middle-class area.

Vancouver newspapers referred to Hutchison as "the North Shore's Tom Swift" when reports of strange lights in the sky filled the media one day, and young John phoned in to confess. The lights

over Grouse Mountain were his aluminum-coated balloons. He'd been making hydrogen out of lye and strips of aluminum from pie plates, then filling nylon balloons and tracking them with a high-powered telescope as winds zipped them around the North Shore Mountains.

By age 20 Hutchison made a workable 110-volt arc welder from pieces of curtain rod, carbon rods from a flashlight battery, salt water, insulated wire, and a plug. A newspaper quotes young Hutchison describing the workings of a rheostat, and how to make nylon.

In 1965, medical difficulties resulted in his being hospitalized for an extended period. John's personal problem came out as agoraphobia. But his attraction to experimenting was indomitable. While in the hospital he had accumulated a tangle of metal and electronic parts, and a high frequency oscillator that doctors had thrown away.

Tesla Equipment

In the late 1960s, Hutchison moved to a \$35/month basement where he could arrange his machine tools and other metal objects. Living on a small disability pension, he had time to scrounge through junk yards and military surplus outlets for RF generators, transformers, etc. Rare equipment was literally dug out of the ground. He thought about opening a museum of Tesla equipment. The basement room was filled with large metal objects, including an old cannon, which he used to test metal fatigue.

On good days he liked to go into the forests near his Lynn Valley laboratory/bedroom in North Vancouver. Attraction to nature also motivated his volunteer work at a nearby ecology center.

Radiation Burn

Tinkering with inventions was an ongoing habit. He remembers only fragments about the military surplus components he was able to buy for his devices. In 1967 or 1968, Hutchison accidentally burned his face and eyes with a device and had to go to the hospital, but apparently suffered no

permanent damage. Nurses confiscated the unit and threw it in the garbage.

Asked for details 20 years later, he recalled mercury and various coils were involved, and that he was interested in lasers at the time. The device gave off UV radiation. While he played with the device, it "turned cold blue along a glass tube I engineered." He felt his eyes become uncomfortable. It seemed he was exposed to radiation only for minutes, but an hour afterward his eyes glued shut. For 12 hours he could not see, and after awhile his face developed severe "sunburn."

Hutchison's Intuitive Process

It was said that he didn't understand what he was doing when he added more materials in his lab. "Actually, I understood just what I was doing as I got closer and closer to understanding the effect. They thought it was just that I was agoraphobic and wanted to be in a crowded place. It wasn't that at all," Hutchison said.

Geometric metal masses were an important part of what he had and he found intuitively that large units of aluminum or pure copper played a key role. The metal was loaded with 200,000 volts. "In my first lab there was a lot of mass laying around the apparatus--lathes, machine tools, cannons," he said.

In the second lab, Hutchison said he had a hard time triggering effects, until he added large transformers, around 350 pounds each, and other configurations for mass.

"It works better when I'm feeling good." When government scientists were pacing around his lab "in a rush mode," he didn't feel good. "Why should I waste my time proving it to the skeptical? Even when we got major effects, the San Diego group (in 1982) said it must be from a transformer buried in the concrete. I lost interest." Hutchison shrugs.

One combination included a small source of radioactivity--ground uranium--in a copper tube, he said, as well as a Van de Graaff generator and other generating equipment.

Hutchison recalls aesthetically pleasing effects. When working in the lab at night, he would turn the lights off and watch a light effect; there were flower-like shapes on top of his equipment. "I wondered why they didn't leap the gap."

Aurora-like effects in mid-air are described. Hutchison refers to a rainbow-like shimmering in one incident. "It's on one of the tapes. In the center was pulsating white plasma-type energy."

"Heavy DC sparked onto specially designed electrodes would produce fireballs," he said. "The largest ball lightning was about four inches in diameter and went sailing across the room for about six seconds," he added calmly.

1983 Demonstrations

The cavernous space rented by Pharos in the summer of 1983 for experiments--and attended by members of the U.S. Government--was at 141 Riverside Drive, North Vancouver. The warehouse had been used formerly by Panorama movie studios for storing props. Hutchison remembers months of preparation, a man phoning officials from pay phones using a set procedure, and the excitement when the officials arrived several months later, loaded with monitors and cameras. Hutchison wasn't given their surnames at this time.

"I didn't know who they were, though I felt the military connection. They used a Geiger counter to map out the area, and marked it with masking tape on the floor. We were getting some good ballistic lifts, from floor to the ceiling."

Hutchison was trying to focus the energy onto a three square foot area, because that was the space under observation. But as time went on, he said, events happened elsewhere in the warehouse--mirrors broke, nails pulled out of a wall, and boards flew around. Earlier in the test large light bulbs on the 30 foot ceiling, which had not been switched on, flashed brilliant blue. After that the

fluorescent lights wouldn't work, he said. Later a heavy metal plow sailed across a room. "It travelled 20 feet or so and made the devil's own noise when it hit the pavement. And a 50-pound spool of wire went across the room."

An American watching the tests wanted effects right on the target area. As they videotaped, each tape was labelled and put into a steel box. "Nothing major happened on the target area, as far as I know," Hutchison said.

Aurora-like effects in mid-air are described. Hutchison refers to a rainbow-like shimmering in one incident. "It's on one of the tapes. In the center was pulsating white plasma-type energy."

"I was operating the machines, but I liked to walk around too. I was following John Rowe. He had an assortment of miniature test equipment on him and he would say, 'I got a reading of three megahertz suddenly. I don't know

what this means.'"

A camera was focused on Hutchison as he operated the equipment. He was asked to put on a "brain tuner," but found it uncomfortable. On the last day of the test run, Hutchison was told sorry, he didn't make it into the scientific community. The random effects had not played on the target-area stage.

Hutchison has been trying to get a copy of the report since 1983, as well as the 30 hours of videotape taken by the Los Alamos group.

Hutchison then moved his lab to a basement at Hastings and Boundary Road in Vancouver, where Pezarro brought more visitors. Finally, one day, Hutchison hired a truck with a crane and moved his massive metal objects into a warehouse downtown on Cambie Street. It was his exit from the Pharos Company. Many influential Canadian and American defense departments and aerospace people had come to view the demonstrations, some of which were disappointments. Why would he leave?

"I couldn't fit into the tight niche of being quiet, and I didn't have the freedom of creation when only concentrating on one dull thing," he replied.

Are Hutchison's Experiments Dangerous?

Hutchison has respect for the fields. He has felt a negative effect only a few times. Once he had a headache while experimenting in cramped quarters, and another time, "I overexposed and went around feeling like my head was blink, blinking. (Microwave clicks.) I went around for a week like that." Finally a doctor who didn't know what John had been doing asked if he'd been working with high voltage.

One time as John reached for a knob to adjust the field, his forearm felt twisted slightly backward "as if by a liquid" force. The feeling was like being in mercury, and it passed through and behind him.

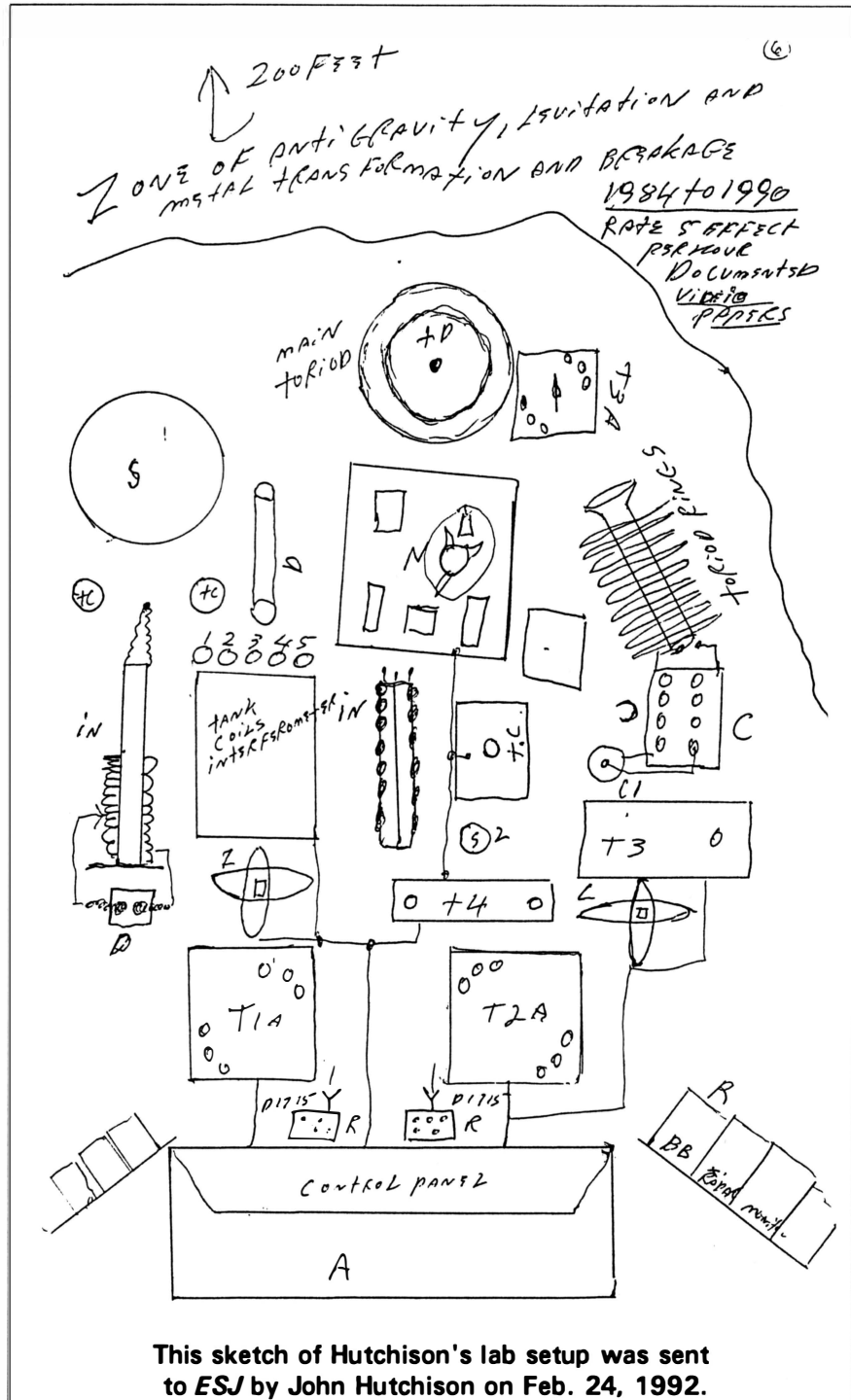
At other times, observers told John about spontaneous effects, such as little fires starting up on the floor or rubber objects being squeezed. He is concerned about the possibility of getting an effect started that is not self-quenching.

"There were other events we called flameouts from the coils. Great amounts of energy would come out into a cone shape up to the ceiling. Many times this effect happened when only I was there, but luckily it also happened when George Hathaway was there. He jumped up on the table with his camera and got a photograph of it."

In the fall of 1986, Hutchison placed a small classified ad. "Tesla researcher caught in with SDI [Strategic Defense Initiative] research, CIS [Canadian Intelligence Service] people and a company who has documents on my work. I seek a prof.

journalist or lawyer to sort out the secretness and get my property back." In the past six years, much of John's energy has gone into writing letters and making phone calls. He is told by government sources that the videos of his work were destroyed, but he doesn't believe it. He also wants to see the laboratory reports on his metal samples.

Randy Bergow, [a computer programmer from Munich, West Germany] arrived in Vancouver that same year and became friends with Hutchi-



This sketch of Hutchison's lab setup was sent to *ESJ* by John Hutchison on Feb. 24, 1992.

son. When Bergow returned home, he took a load of metal samples to several European scientific institutes. Bergow met a scientist from Austria, Dr. Patrick Konett, and the wheels were set in motion for John's trip to Europe two years later.

In 1988 Hutchison had acquired two new partners, Greg Land and Alfred Sutter of BIRD Industries. Hutchison now fired up his equipment in a lab on 13th Avenue in Vancouver. "It was going full bore by Fall with many effects. One time a 1,000 pound Siemens transformer was lifted about an inch off its foundations. Another time an unusual cloud-shaped thing went through the ceiling. It seemed to lift nails and move them at an angle through the walls. Alfred Sutter checked...it was his conclusion that [the nails] passed through the wood; perhaps the wood turned semi-transparent."

Hutchison explained further: "The nails had gone from cardboard boxes in a storage area upstairs outside the lab, floated through the wood and came through the storage area's wall to surface on the lab wall, at random in the wall on their sides. With no holes in the wall."

In an effort to explain how it happened, Hutchison turned to an earlier report describing a momentary transparency of part of a sample.

Background Radiation Affected

In 1988-1989 Hutchison reports he could control background radiation in a radius of up to 75 feet. "I could increase (Geiger counts per minute), double, or decrease it down to almost zero. Unfortunately I had to leave the strip chart strips in the lab when everything became messed up."

Friction was growing in BIRD Industries. Hutchison said his partners rewired his apparatus when he was out of the lab. When he later turned it on, two huge capacitors exploded, sending an acrid smell through the building. He cleaned everything, but the explosion was the subject of later investigation by environment officials who were concerned about PCBs.

John disagreed with the BIRD partners when he thought they and an associate of Boeing Aerospace in Washington State planned what he believed would be a psychotronic research program. Although he was pleased at getting an average of five energy effects per evening in the fall of 1988, he was being pulled away from the stressful business arrangement by other events.

In 1988 Dr. Konett was in Canada and introduced his sister-in-law, film maker Kim Lee, to John Hutchison. She began writing him.

In 1989 Lee travelled to Vancouver. BIRD partners had locked Hutchison out of his lab. Hutchison described that time: "We [Hutchison and Lee] planned on how to save this lab. We decided to break in and empty out the lab, and did so with security guards and All Cargo Express. We got caught by the police." Hutchison said Lee sold her jewelry the next day and hired a lawyer.

Randy Bergow in Munich, meantime, was acting as a long-distance advisor. "They pursued the matter--phoned Jack Howard, an employee of McDonnell Douglas--to confirm the lab was mine."

European Excursion

After a court order allowed Hutchison access to the lab, valuable equipment was packed in shipping containers marked for Europe.

"Kim and I left in the night (Feb. 8, 1989). We drove across the border, then got the plane to Europe," Hutchison said.

When they arrived, the two stayed with Bergow in his Munich apartment. "The pressure from BIRD Industries, the landlord and the lawyers was so horrible I went into mild shock," Hutchison remembers. "So did Randy--overstressed. Randy contacted Electra Briggs--Project Coordinator/Advisor for the CCC/UN (Communications Co-ordination Committee for the United Nations), a researcher and media consultant--to pay for her plane fare out. Then John Rowe, a former resident of Vancouver, persuaded Randy he could sort out the mess. The mess only got worse. Randy was

near total exhaustion. John Rowe said I would get arrested if I returned to Vancouver. Randy had to be put into the hospital.”

“Kim and I stayed in Dr. Konett's Austrian villa. I was now torn between two worlds....”

Hutchison began withdrawal from the prescription drugs he had been taking for years. He credits Lee and Mrs. Konett for helping him through the withdrawal. During this difficult time he wrote letters to his friends in Canada. He now regrets the calls for help, which caused his friends to go to extreme measures, trying to help him return to North America.

Hutchison was also terribly shaken by an automobile accident on the Autobahn. His breast bone was fractured and Kim's nose was broken. Hutchison was hospitalized for several days during the first month in Austria.

With the rumor of a known East Bloc agent having an interest in his whereabouts, Hutchison said he was no longer welcome at the Austrian villa. He and Lee moved to Munich where he continued with her support to take natural medications to help with the drug withdrawal.

As one of his friends who had been confused by his desperate letters, I visited Hutchison in Munich in the fall of 1989, without the co-operation of his hosts, in order to find out if he was all right. He looked fairly well and said he was waiting for information on his metal samples, (which had been taken to Germany by Bergow for testing years earlier).

At that time, Hutchison said his friend Bergow "now hammers at me to write down everything I know." Hutchison refused to cooperate. The close relationship with Kim, however, caused him to be ambivalent about his plans. He was then introduced to a German journalist and energy researcher, Gerald Horst, who was willing to help him.

While in Germany, Hutchison did minor experimental work with the piece of lab equipment he

brought, "a tri-coil projector arrangement around a DC high-tension central core where high frequencies were placed on it," and a duo-tuned radio circuit, to see if psychokinesis was involved. He had about one effect per night. PK is not an important factor, he concluded. In making the equipment, he had taken two radio receivers apart and re-tuned them as signal generators for interfering signals. "Wires came from these to the tri-coil arrangement. I used a very low power 12-volt DC battery as the central core, and a magnet to go down the central core of the tri-coil. It was a magnet I managed to scrounge off a radio speaker, maybe 5,000 gauss."

Hutchison's static generator--"that cone-shaped coil part"--is one of the items remaining in storage in Munich.

"Is that the part that had a bit of ground uranium in it?" I asked. "No, this is more of a projector unit used in the experiments," Hutchison replied. "Quite long, three triad coils around it, and a centre core, and it was powered by direct current transformers, tensions of about 100,000 volts."

Could it have been doing something scalar?

"I think so, because of this interference pattern set up by a disruptive discharge transformer nearby, which I find more effective than a Tesla coil, and that's bled into it. This unit went through various changes through the years, from 1979 on up. The unit was with the Los Alamos team, then moved from that lab to the one at Boundary and Hastings, and it went through some major changes. I started adding different coils to it, and toroidal coils to basically enhance and cause more interruptions, and phasing currents."

Hutchison listed ways in which interactions with the atomic level manifest in these experiments. "A wall will start falling apart, or water, in hydrous materials in the walls, will be drawn out." Hutchison saw the hydrous effect in Munich when he sat with his projector unit.

About the only other experiment he performed during his 18 months in Europe was to start up a

Tesla coil in one of the four laboratories in Dr. Konett's multi-million dollar villa beside a lake. The lab itself was as big as an ordinary house, he said. To his dismay, the coil hadn't been properly connected by its builder, a friend of Dr. Konett. The Tesla coil discharged onto the carpet.

Europeans Comment

Dr. P.T. Pappas of the University of Athens wrote Hutchison asking if he would come to Greece.

"As I have observed gravitational-like attracting forces between identically excited-by-microwave bodies, your experiments gave me the idea that you probably disturb the microwave resonance between the orbiting electrons in the mass in various objects," Dr. Pappas wrote on Oct. 20, 1989. "As a result, you extinguish the coupling between object and earth, or even cause repulsion."

Also in Europe, scientists discussed the metal samples that had been anomalously altered by the Hutchison Effect. According to a report passed on through Randy Bergow, some of the samples continued to change over time.

"On December 22, 1989, there was a two-day meeting in Stuttgart," Hutchison recalled that included: "Dr. Kevin Frank, Dr. Schwartz of Max Planck (Institute), plus Randy, Kim, me, and 30 other scientists. Some of the scientists did tests on the samples. Randy presented the science of what I had done. He said a senior Siemens scientist did a test on one sample, which was aluminum mixed with wood, an impossible mixture. The scientist, I don't know his name, became too interested to the exclusion of his other work. He later died of a heart attack."

Hutchison couldn't follow the discussion of his work at the Stuttgart meeting because it was in German.

Return from Europe

In the interview on September 6, 1990, in a Vancouver, B.C. apartment, John Hutchison rested on a worn sofa and smoked his pipe. Gaunt from misadventures of the previous two years and jet-lagged after a flight from Europe, this tall man in faded denim nevertheless cheerfully focused on what he had learned.

"I want to be part of the network--meet the other researchers. I've had it with being kept in the dark."

Hutchison returned from Europe seemingly without some of his former spontaneous irreverence. Gone is

the unconventional shoulder-length hair. He chooses his words carefully. He is now determined to be taken seriously as a researcher. In the past he had a hard time convincing the sophisticated academicians.

Whatever anger Hutchison allows himself about his situation he focuses on the Canadian government, whose Environmental Protection Agency ordered tons of Hutchison's lab equipment to be trashed while he was in Germany because of PCB contamination. They threw away everything to do with high voltage, he said. Metal masses used in the experimental setup went, along with heavy million-and-a-half-volt Tesla coils, special-design coils, his static generator and some microwave equipment. To get money, Hutchison has sold most of what remained, piece by piece, to strangers. He currently awaits an offer to work with researchers in either Europe or the United States.

Recently Nobuo Yokoyama of the Free Energy Project in Tokyo, Japan, wrote Hutchison to ask for permission to use pictures of the Hutchison Effect in Yokoyama's forthcoming book on free energy. Yokoyama added that in Osaka "suddenly high voltage and fire appears in the ordinary factory. Nobody understands this...I think this phenomenon is a kind of Hutchison Effect."

Building Free Energy Device

In a garage in New Westminster (Vancouver) John Hutchison currently has a small collection of equipment running. For one thing, there is the one-of-a-kind radio astronomy spectrum analyzer, surplus from the University of British Columbia, on which he had made a lucky offer.

"It eliminates about two rack cabinets of equipment. Vacuum tubes of special design allow it to go from ten megacycles up to 44 gigahertz. I arranged it so it could be audio also."

"When I took apart all this equipment, took special components out of experimental stuff that the Navy and military were using in the old days to capture ultra high frequencies--special tubes, special capacitors, very special germanium diodes of that time--I thought I was getting close to the Henry Moray device."

Hutchison doesn't believe radioactivity was involved in the Moray device. Hutchison's plan is "similar to Moray, using various metals that he once used. I think the secret is in that kind of technology: aged crystals, diodes and aged germanium, metals, crystalline structures."

John Hutchison feels out of touch with other researchers who are working on similar projects, but if he is still on this continent in the summer of 1992, he may well show up at a large conference, such as the Tesla Symposium, (3) for the first time. He is no longer the reclusive eccentric described by visitors to his lab in the mid-1980s.

References

1. The Third International New Energy Technology Symposium/Exhibition, June 1988, The Planetary Association for Clean Energy, Inc., 100 Bronson Avenue, Suite 1001, Ottawa, Ontario, CANADA K1R 6G8.
2. The First International Symposium on Non-Conventional Energy Technology, University of Toronto, Toronto, Ontario, CANADA, October 23-24, 1981. [Editor's Note: At this conference,

Mel Winfield presented a paper entitled, "Atomic Structure and Gravity," in which no reference is given with respect to the Hutchison Effect.]

3. International Tesla Symposium, Colorado Springs, Colorado, July 23-26, 1992.

About the Author

Jeane Manning is a journalist. Over the years she has been in close touch with the research of John Hutchison and has become his friend as well. Anyone interested in communicating with Ms. Manning may contact her at: P.O. Box 111, Penticton, B.C., CANADA V2A6J9.

Videotapes about Hutchison experiments are available from E. Briggs, P.O. Box 187, Lone Mountain, TN 37773. ❑

DATE CHART - JOHN KENNETH HUTCHISON

- 1945 Born October 19, Vancouver, British Columbia, Canada
- 1955 Radio experiments in elementary school
- 1959 First chemistry experiments
- 1960 Formal schooling stops after Grade 8. Studies at North Shore College on his own. Does experiments at home. Father encourages his interest in antique guns.
- 1965 His chemistry/balloon experiments startles city with reports of flying lights. Hospitalized.
- 1968 On medical pension; reclusive life until 1978. Builds portable radio run on "free energy."
- 1971 Begins to build Tesla coils that later become part of the Hutchison Effect.
- 1972 Tinkering with surplus equipment with no effect in mind.
- 1978 Royal Canadian Mounted Police object to "gunsmith's unorthodox gun collecting" although guns deactivated; jail him for eight hours. Judge chides RCMP; guns returned to JH. Lawyer gives him a pile of old electronics equipment.
- 1979 First energy effects, Lynn Valley, North Vancouver.
- 1980 Unusual effects witnessed by landlord's son, Mark Murphy.
Mel E. Winfield of Vancouver contributes Van de Graaff generator.
Hutchison Effect discovered by accident.
Mel Winfield introduces JH to Alexis Pizarro who sees Hutchison experiment photos.
- 1981 Hutchison Effect mentioned at International Symposium on Non-Conventional Energy, Toronto, Canada. [Not documented.] Mel E. Winfield of Vancouver suggests Effect comes from electro-magnetic fields swirling in some unknown way. JH also working on Alexander machine and interested in Hendershot device.
- 1982 Still living in Lynn Valley, North Vancouver--in basement lab.
August 2: JH signs agreement to work for Alexis Pizarro and George Hathaway, Pharos Technologies Ltd.
- 1983 Pharos arranges new premises with controlled conditions. Demonstrations for U.S. Government members at 144 Riverside Drive, North Vancouver. Hutchison's mother died at this time.
- 1984 Interviewed on BCTV.
- 1985 CKVU-TV coverage. Equipment in rear basement of 3744 East Hastings Street, Vancouver. JH living in alcove of lab. Started adding different coils to projector unit and toroidal coils, "causing more interruptions and enhancement, and phasing currents."

August - An engineer from McDonnell Douglas observes experiments; introduces question of psychokinetic component.
- 1986 Canadian Scientific and Technical Intelligence associates investigate Hutchison Effect.
March 16 - Pharos perceives problem with JH--unauthorized speaking to other people.
April - JH splits from Pharos; he moves equipment to Cambie Street near downtown Vancouver.
Wants to open Tesla museum.
- 1987 Randy Bergow takes metal samples to European laboratories.
JH invited to speak at The Planetary Association for Clean Energy at Learned Societies meeting, but lacked airfare.

HUTCHISON DATE CHART, Cont'd.

1988 BIRD Industries, new partners, thought to have tinkered with JH's lab equipment while he was absent. When he starts up equipment, transformer explodes and sprays lab with PCB oil. Partnership breaks down before year's end.

Planetary Association for Clean Energy Symposium, Ottawa, Canada. George Hathaway gives talk on Hutchison Effect. Scientists T.E. Bearden and A. Michrowski lead panel discussion on the Effect.

1989 January 30 - JH persuaded by three Europeans to go to West Germany and Austria. Arrives to find conditions different than expected. JH refuses to co-operate in revealing Hutchison Effect details. Injured on Autobahn. International police officials visit Austrian villa. JH tells officers that he had not been kidnapped from Vancouver.

While JH was in West Germany, the (Canadian) Environmental Protection Agency ordered tons of his lab equipment to be trashed because of PCB contamination.

September - JH flies from Europe to Los Angeles, California with Kim Lee. JH meets Jack Howard. JH and Kim Lee return to Europe for almost another full year.

December 22 - Meeting in Stuttgart. West German scientists discuss Hutchison Effect. JH's friends in North America worry after calls for help to return home. His family tries to get help from Canada's Current Affairs Ministry.

1990 September - Returns to Canada, 20 years of JH's work--handmade equipment--had been thrown out by Canadian environmental officials. Some equipment left in Munich.

1991 JH sells most of remaining equipment, piece by piece.

1992 Ready to work openly with other experimenters.

[Editor's Note]

I spoke with Mel Winfield on March 18, 1992 and asked about Hutchison's early experiments. He recollected that about 1979 Hutchison attended one of his lectures and borrowed his Van de Graaff generator (three feet tall, with a twelve-inch diameter electrode) for experimenting. Hutchison used the Van de Graaff in combination with Tesla coils and other apparatus. Thereafter, Hutchison called Winfield and said: "A 15-lb. block of plaster fell over on the desk." Winfield photographed some of Hutchison's experiments and hypothesized on the phenomena. They made an agreement to work together. Winfield later introduced Hutchison to Alexis Pezarro. As the Pezarro relationship evolved, Hutchison shifted away from Winfield. Subsequent contacts and involvements became more intense and complex for Hutchison.

Winfield did not suggest any prior discovery of the Hutchison Effect. Mel Winfield continues his own inquiry into the Hutchison Effect, further developing his hypothesis. He explains the Effect as a delicate imbalance of atomic forces. He also sees the possibility of accomplishing the Hutchison Effect with solid state devices and is working with others to develop such devices. ❧